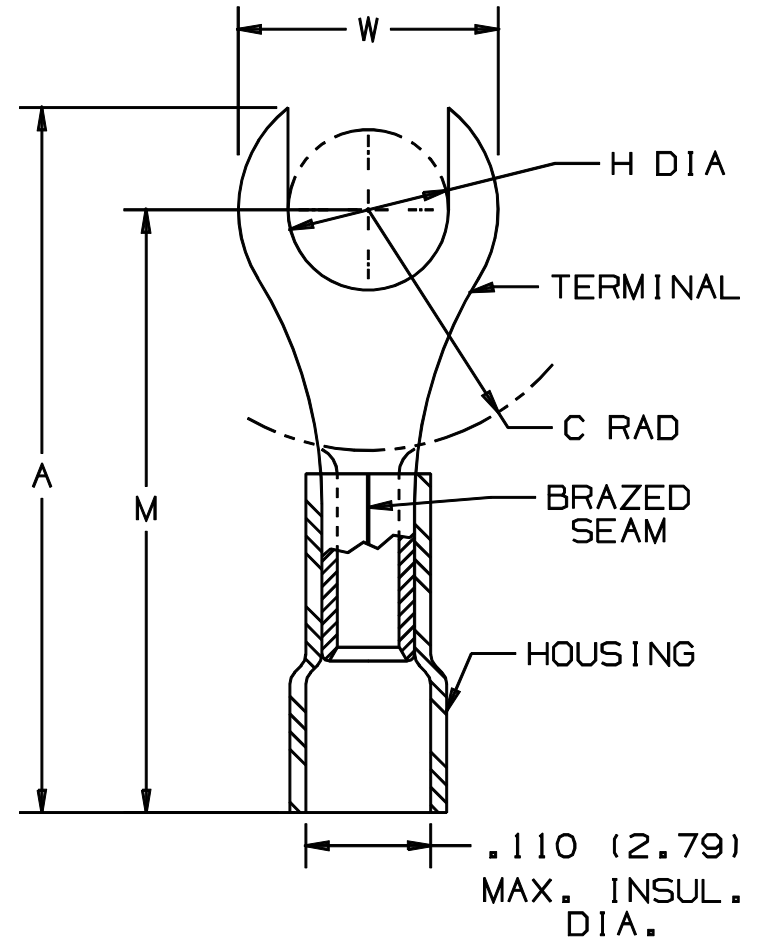


THIS COPY IS PROVIDED ON A RESTRICTED BASIS AND IS NOT TO BE USED IN ANY WAY DETRIMENTAL TO THE INTERESTS OF PANDUIT CORP.

PANDUIT PART NUMBER	STUD SIZE	DIMENSIONS in.				
		A $\pm .020$	W $\pm .010$	C $\pm .015$	M $\pm .020$	H $\pm .010$
PV22-2F	#2	.61 (15.50)	.20 (5.08)	.19 (4.85)	.55 (13.97)	.10 (2.54)

NOTES:

1. RECOMMENDED FOR:
 - A. 600V. MAX. VOLTAGE RATING
 - B. #26-22 AWG SOLID OR STRANDED COPPER WIRE
 - C. 221° F (105° C) MAX. TEMP. RATING
2. MATERIAL:
 - A. STAMPING - .020 (0.51) THK COPPER, TIN PLATED
 - B. HOUSING - VINYL, YELLOW
3. PACKAGE QTY: STD. PKG. 100
BULK PKG. 1000
4. DIMENSIONS IN BRACKETS ARE IN MILLIMETERS
5. INSTALLATION TOOLS: CT-520



A41231_03

PANDUIT

CORP.

TINLEY PARK, ILLINOIS

REV	DATE	BY	CHK	DESCRIPTION	QA	CUST	PM	APP
03	1/01	RM		FILESPEC WAS A41231A::1:L1				
2	7-88	DW		REDRAWN WITH REVISIONS				

#26-22 BARREL VINYL INSULATED FORK,
.110 (2.79) MAX. WIRE INSUL. DIA.

DRAWN BY	CHK'D	SCALE	DRAWING NO.
DAW		NONE	A41231